

# 肖特基二极管 / Power Schottky Rectifier

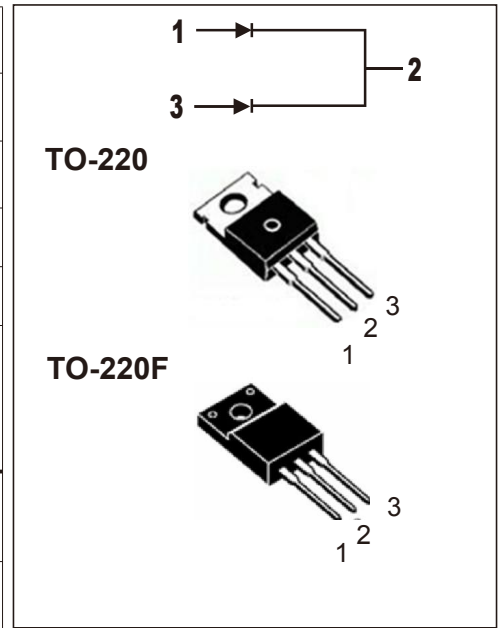
MBR10150CT

- 特点：抗高浪涌性能 高功效 低正向电压 大电流 低功耗 符合ROHS规范 共阴结构
- **FEATURES** ■ **HIGH SURGE CAPABILITY** ■ **HIGH EFFICIENCY** ■ **LOW FORWARD VOLTAGE** ■ **COMMON CATHODE**  
 ■ **HIGH CURRENT CAPABILITY** ■ **LOW POWER LOSS** ■ **ROHS COMPLIANT**
- 应用：低压高频逆变电路 续流电流 保护电流
- **APPLICATION**: ■ **LOW VOLTAGE HIGH FREQUENCY INVERTERS** ■ **FREE WHEELING**  
 ■ **POLARITY PROTECTION APPLICATIONS**

● 最大额定值：(  $T_c=25^\circ\text{C}$  )

● **Absolute Maximum Ratings** (  $T_c=25^\circ\text{C}$  ) **TO-220/TO-220F**

参数 PARAMETER	符号 SYMBOL	额定值 VALUE	单位 UNIT
反向重复峰值电压 Repetitive Peak Reverse Voltage	$V_{RRM}$	150	V
最大直流阻断电压 Maximum DC Reverse Voltage	$V_{DC}$	150	V
平均整流输出电流 Average Rectified Output Current @ $T_c=25^\circ\text{C}$	$I_{F(AV)}$	5 Per leg	A
		10 Total Device	A
正向峰值浪涌电流 Peak Forward Surge Current 8.3ms Single half sine-wave superimposed on rated load (JEDEC Method)	$I_{FSM}$	100	A
最高结温 Maximum Operating Junction Temperature	$T_j$	150	$^\circ\text{C}$
贮存温度 Storage Temperature	$T_{STG}$	-40-150	$^\circ\text{C}$



● 电特性：(  $T_c=25^\circ\text{C}$  )

● **Electronic Characteristics** (  $T_c=25^\circ\text{C}$  )

参数 PARAMETER	符号 SYMBOL	测试条件 TEST CONDITION	最小值 MIN	典型值 TYP	最大值 MAX	单位 UNIT
正向压降 Forward Voltage Drop Per Leg	$V_{FM}$	@ $I_F=5A, T_c=25^\circ\text{C}$			0.90	V
		@ $I_F=5A, T_c=125^\circ\text{C}$			0.72	
反向电流 Peak Reverse Current @ Rated VR	$I_{RM}$	$T_c=25^\circ\text{C}$			0.10	mA
		$T_c=125^\circ\text{C}$			10	

● 热特性

● **Thermal Characteristics**

参数 PARAMETER	符号 SYMBOL	最小值 MIN	典型值 TYP	最大值 MAX	单位 UNIT
热阻结-壳 Thermal Resistance Junction-case	$R_{thJC}$			4.0	$^\circ\text{C/W}$

● 订购信息

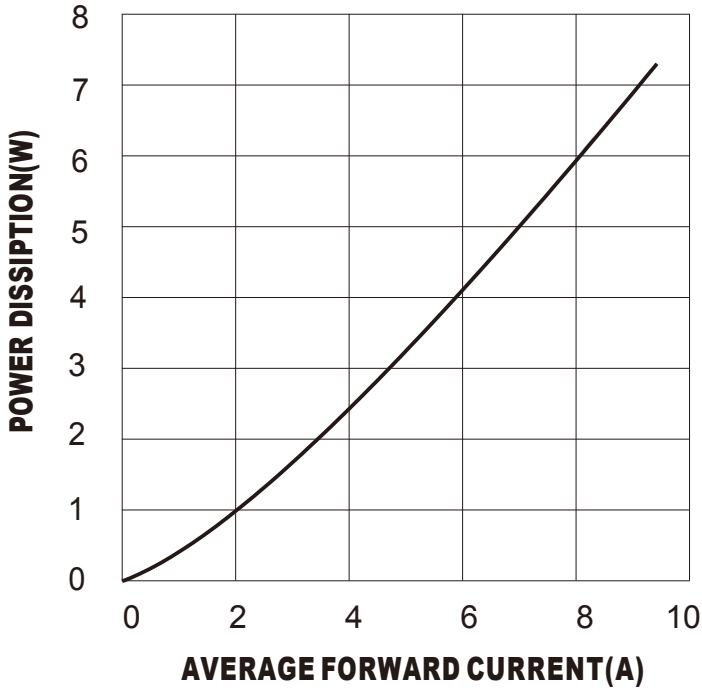
● **Ordering Information**

无铅塑封料 Lead Free	封装外形 Package	包装形式 Packing	包装数量 Packing quantity				
MBR10150CT-L-F-T	TO-220F	Tube	50Pcs/Tube	20T/Box	1.0K/Box	5B/Carton	5K/Carton
MBR10150CT-L-P-T	TO-220P	Tube	50Pcs/Tube	20T/Box	1.0K/Box	5B/Carton	5K/Carton

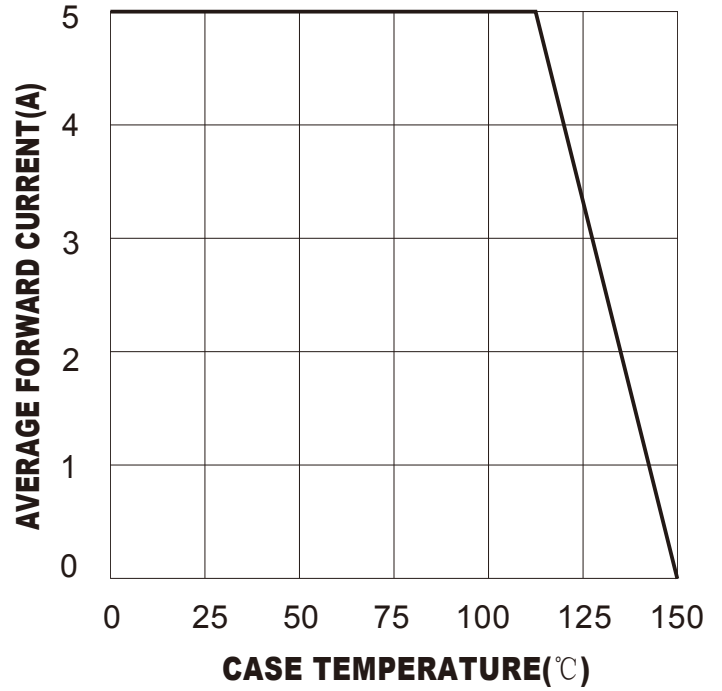
Note: T:Tube/管 R:Reel/卷盘 B:Box/内盒 C:Carton/箱

特征曲线 **ELECTRICAL CHARACTERISTICS ( curves)**

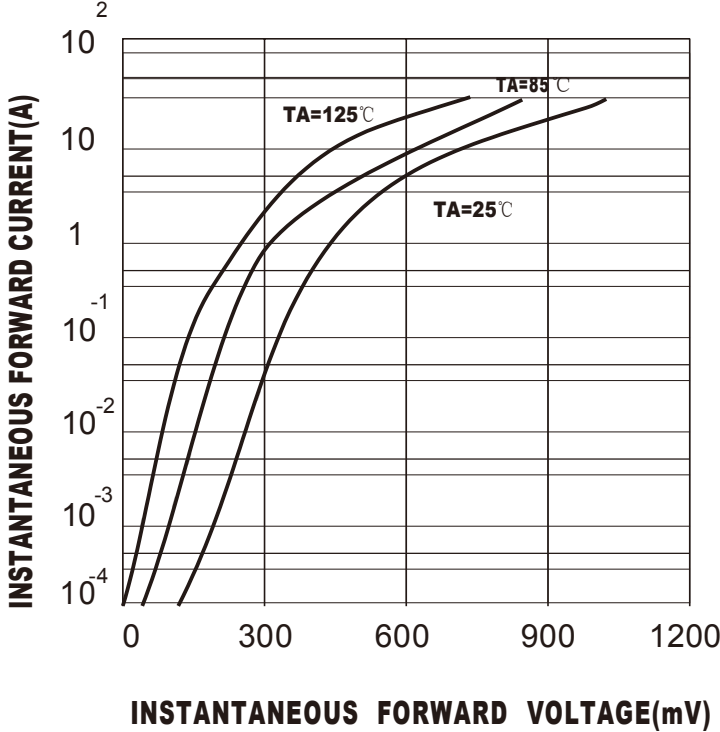
**Fig.1 Forward Power Dissipation**



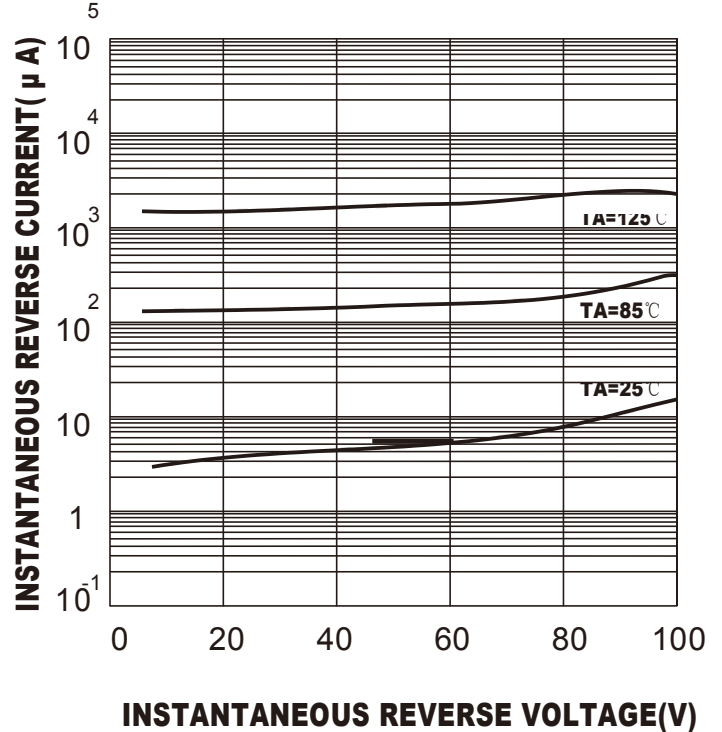
**Fig.2 Forward Current Derating Curve**



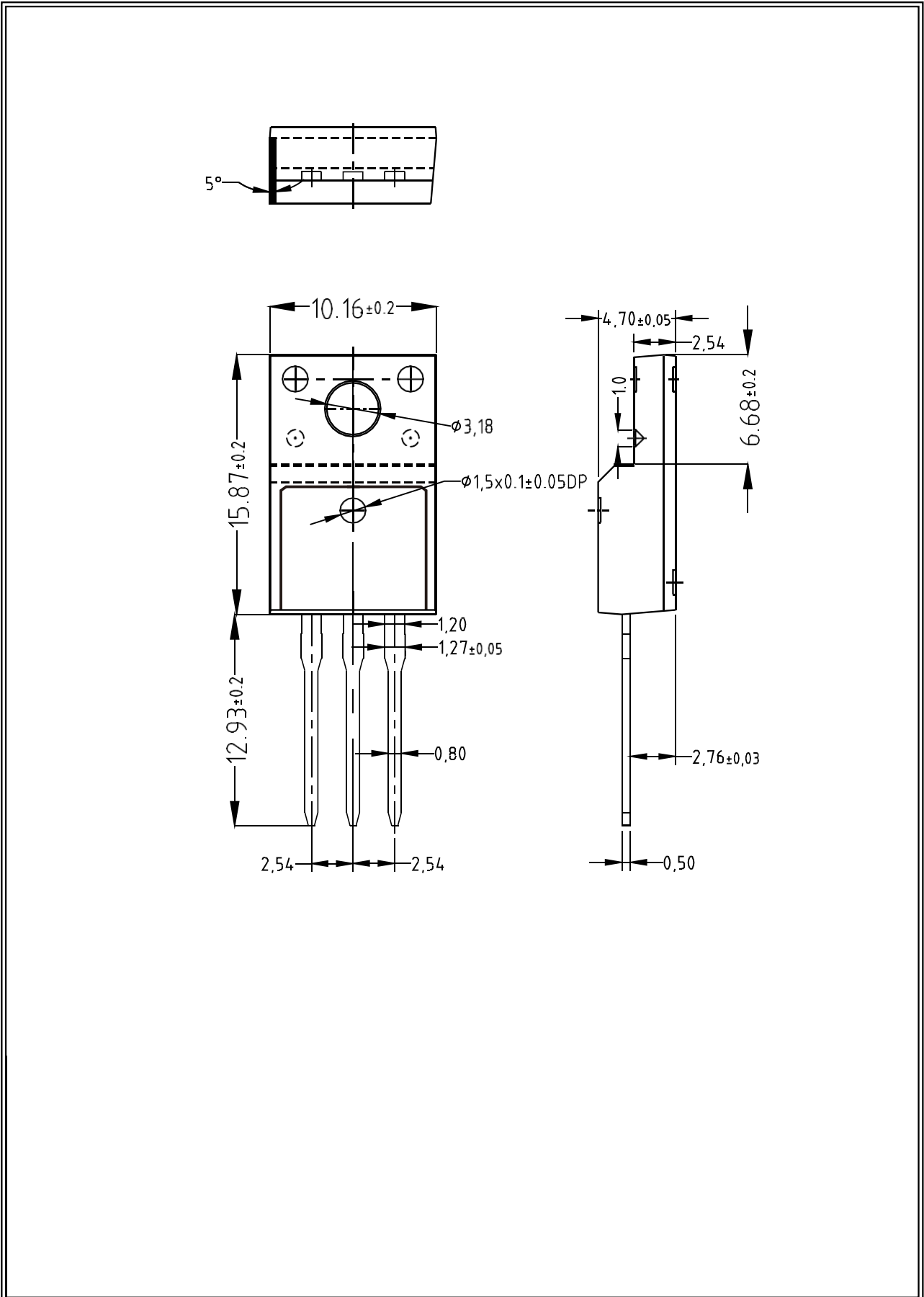
**Fig.3 Typical Forward Characteristics**



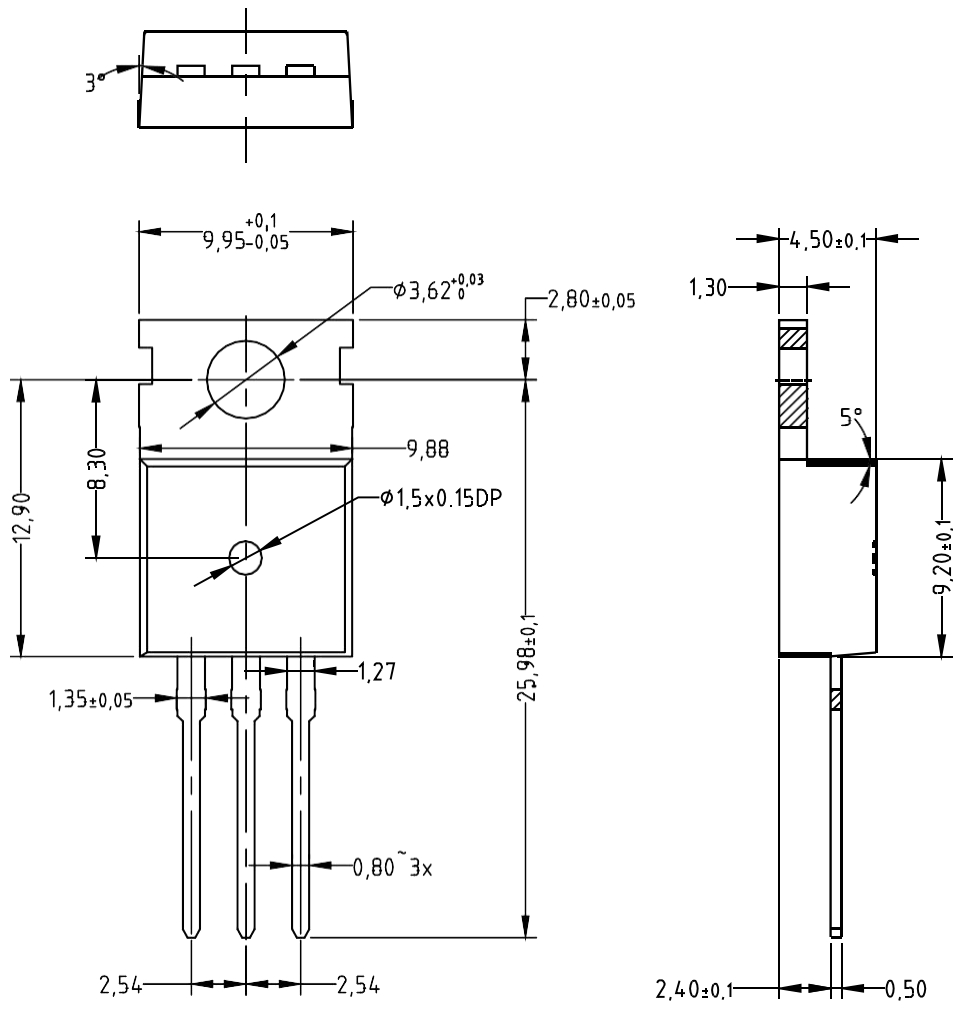
**Fig.4 Typical Reverse Characteristics**



# TO-220F机械尺寸图



TO-220机械尺寸图



## INFORMATIONS

---

### Revision History

### 版本修改

DATE	REV	DESCRIPTION
2014.05.25	1.0	First Release
2017.06.28	2.0	Second Release

Authorized Dealer:

经销商信息：

SP semi assumes no responsibility for equipment failures that result from using products at values that exceed ,even momentarily,rated values(such as maximum ratings,operating condition ranges,or other parameters) listed in producys specifications of any all SPsemi products described or contained herein. SP semi products are not designed for use in life support appliances ,devices or systems where malfunction of these products can be reasonably expected to result in personal injury. Reproduction in whole or in part is prohibited without the prior written consent of the coryright owner. The information presented in this document does not form part of any quotation or contract ,is believed to be accurate and reliable and may be changed without notice