

LOW CATHODE CURRENT ADJUSTABLE PRECISION SHUNT REGULATOR **TL431A**

## 概述 General Description

The TL431A is a three-terminal adjustable shunt regulator with guaranteed thermal stability over a full operation range. It features sharp turn-on characteristics, low temperature coefficient and low output impedance, which make it ideal substitute for Zener diode in applications such as switching power supply, charger and other adjustable regulators.

The output voltage of TL431A can be set to any value between  $V_{ref}$  (2.5V) and the corresponding maximum cathode voltage (40V).

The TL431A is offered in two grade initial voltage tolerance at 25°C, 0.4% and 0.8%.

This IC is available in 4 packages: SOP-8, TO-92 (bulk or ammo), SOT-23 and SOT-89.

TL431A 是三端可调的，全温度范围稳定的并联调整器。具有快速启动、低温漂和低输出阻抗的特性，在开关电源、充电和其他可调调整器应用中是齐纳二极管的理想替代器件。

输出电压范围为  $V_{ref}$  (2.5V) 到最大阴极电压 (40V)。

0.5% 和 1.0% 两种精度 (25°C)。

4 种封装：TO-92 (bulk 或 ammo)，SOT-23 和 SOT-89。

## 特点 Features

可编程精确的输出电压

Programmable Precise Output Voltage from 2.5V to 40V

低阴极电流 : 150uA(典型)

Low Minimum Cathode Current for Regulation: 150  $\mu$ A(Typ.)

低温漂: 4mV (典型)

Low Temperature Deviation: 4mV Typical

电流能力: 150  $\mu$ A--100mA

Sink Current Capacity from 150  $\mu$ A to 100mA

低输出噪声 Low Output Noise

宽工作温度范围

Wide Operating Range:-40°C to 125°C

任意容性负载下都能保证稳定工作

Tolerates Capacitive Loads

## 应用 Applications

充电 Charger

电压适配器 Voltage Adapter

开关电源 Switching Power supply

图形卡 Graphic Card

精确电压基准 Precision Voltage Reference



Figure 1. Package Type of TL431A

## 管脚排列 Pin Configuration

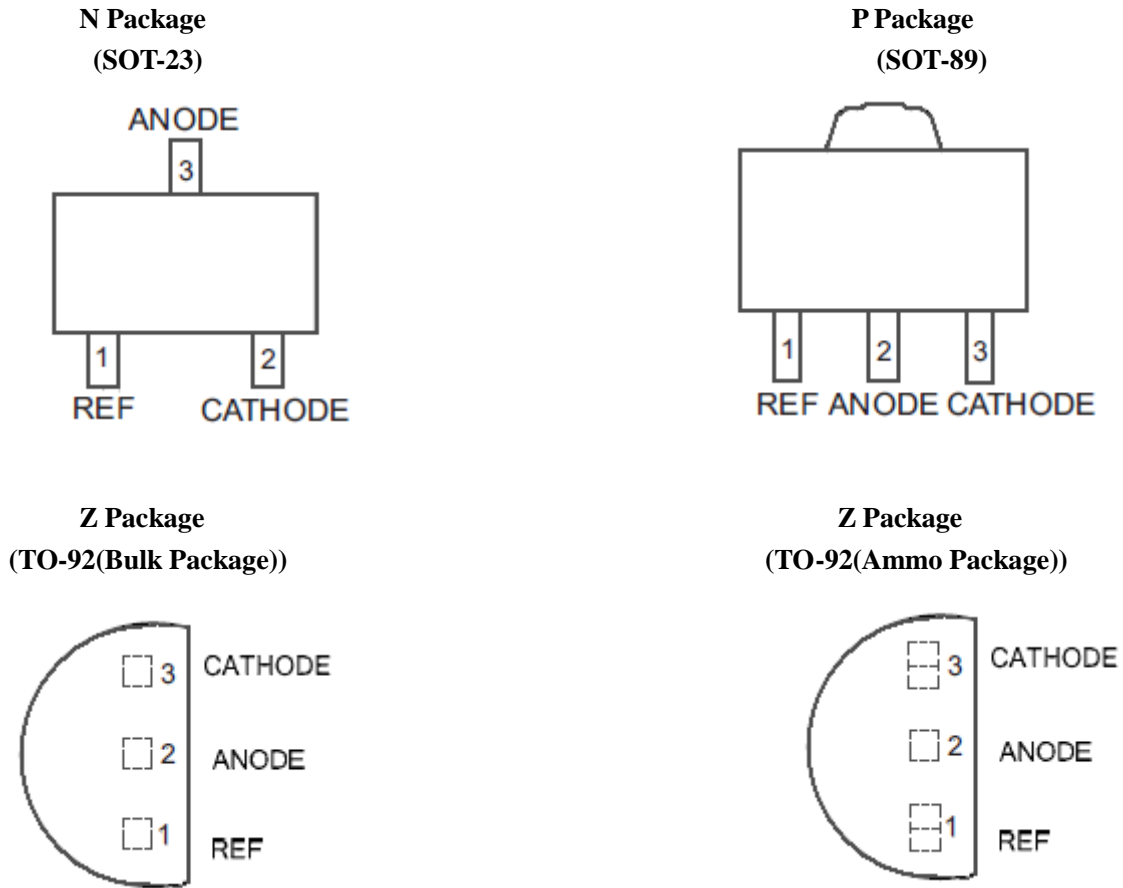


Figure 2. Pin Configuration of TL431A (Top View)

## 功能框图 Functional Block Diagram

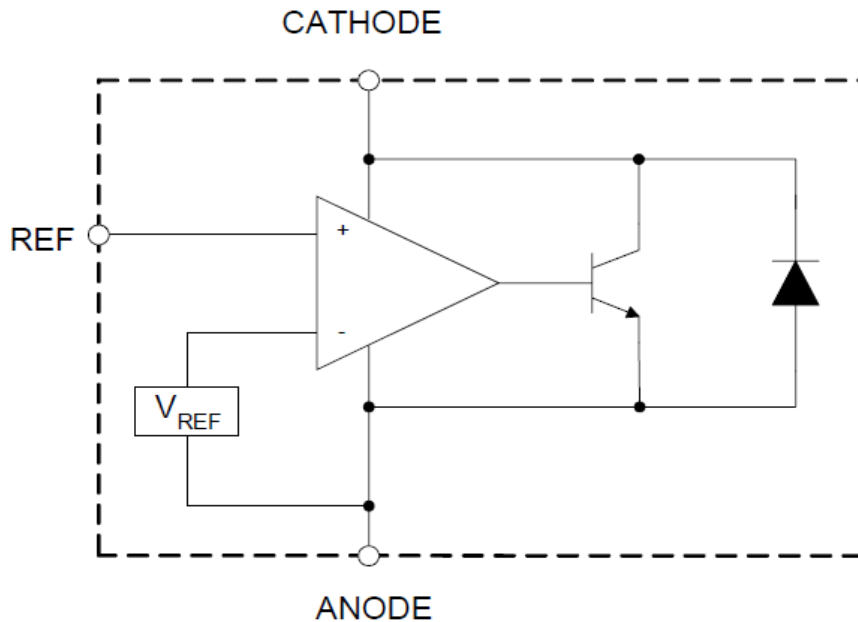


Figure 3. Functional Block Diagram of TL431A

## 绝对最大额定值 Absolute Maximum Rating (Note 1)

项目 Parameter	符号 Symbol	数值 Value	单位 Unit
阴极电压 Cathode Voltage	$V_{KA}$	40	V
阴极电流范围 Cathode Current Range	$I_{KA}$	-100 to 150	mA
参考输入电流范围 Reference Input Current Range	$I_{REF}$	10	mA
结温 Junction Temperature	$T_J$	150	°C
存储温度 Storage Temperature Range	$T_{STG}$	-65 to 150	°C
ESD(人体模型) ESD(Human Body Model)	ESD	4500	V

**Note 1:** Stresses greater than those listed under “Absolute Maximum Ratings” may cause permanent damage to the device. These are stress ratings only, and functional operation of the device at these or

**LOW CATHODE CURRENT ADJUSTABLE PRECISION SHUNT REGULATOR TL431A**

any other conditions beyond those indicated under “Recommended Operating Conditions” is not implied. Exposure to “Absolute Maximum Ratings” for extended periods may affect device reliability.

**备注 1:** 超过“绝对最大额定值”的应力可能会造成器件永久损坏。这些仅是应力额定值，器件工作在上述条件以及超出“建议工作条件”的情况是不可取的。长期处于“绝对最大额定值”可能影响器件的可靠性。

## 环境温度下的额定功耗 Dissipation Rating - Free-air Temperature(Note 2)

Package	Ta=25°C Power Rating	Derating Factor Above Ta=25°C	Ta=70°C Power Rating	Ta=85°C Power Rating
TO-92	700mW	6.2mW/°C	491 mW	398 mW
SOT-89	500mW	4.0mW/°C	320 mW	260 mW
SOT-23	230mW	1.8mW/°C	149 mW	122 mW

**Note 2:** The safe-work power dissipation of TL431A is under 0.25W while the package is TO-92 which is the ordinary transistor package. Above the power dissipation, the package should be changed to SOP or DIP and the dissipation can be to 0.5W. The margin of power should be enough large because the reference voltage will falls as large power dissipation and high temperature rising. TL431A only is a reference voltage source. It is used to output a stable reference voltage, not large power.

**备注 2:** TL431A 的安全使用功率一般设计在 0.25W 以下(TO-92 封装, 也就是普通小三极管封装), 如果要较大的功率, 你可以考虑一下 SO 封装或 DIP 封装的, 这两种封装的功率设计为 0.5W 也很稳定。给 TL431A 留的功率余量较大, 是考虑到 TL431A 在大功率, 高温升的情况下稳压进度会下降。TL431A 只是一种基准电压源, 它的最大作用是提供稳定的基准电压, 而不是输出大功率。

## 推荐工作条件 Recommended Operating Conditions

项目 Parameter	符号 Symbol	最小值 Min	最大值 Max	单位 Unit
阴极电压 Cathode Voltage	$V_{KA}$	$V_{REF}$	36	V
阴极电流 Cathode Current	$I_{KA}$	0.15	100	mA
工作环境温度 Operating Ambient Temperature Range	$T_A$	-55	125	°C

**LOW CATHODE CURRENT ADJUSTABLE PRECISION SHUNT REGULATOR TL431A**

## 电特性表 Electrical Characteristics

 Operating Conditions:  $T_A=25^{\circ}\text{C}$ , unless otherwise specified

 工作条件：除非特指，环境温度  $25^{\circ}\text{C}$ 

项目 Parameter	测试 电路 Test Circuit	符号 Symbol	测试条件 Conditions	数值 Value			单 位 Unit
				最小 Min	典 型 Typ	最 大 Max	
参考电压 Reference Voltage	4	$V_{REF}$	$V_{KA}=V_{REF}$ 0.5%  1.0%	2.485  2.475	2.50  2.50	2.515  2.525	V
基准电压温漂 Deviation of Reference Voltage Over Full Temperature Range	4	$\Delta V_{REF}$	$V_{KA}=V_{REF}$ $I_{KA}=10\text{mA}$ -20 $^{\circ}\text{C}$ to 110 $^{\circ}\text{C}$		8	25	mV
基准电压的线性调整率 Ratio of Change in Reference Voltage to the Change in Cathode Voltage	5	$\frac{\Delta V_{REF}}{\Delta V_{KA}}$	$I_{KA}=10\text{mA}$ $V_{KA}=10\text{V to } V_{REF}$  $I_{KA}=10\text{mA}$ $V_{KA}=36\text{V to } 10\text{V}$		-1.17  -1.07		mV/V
基准电流 Reference Current	5	$I_{REF}$	$I_{KA}=10\text{mA}$ $R_1=10\text{K}\Omega$ $R_2=\infty$		0.3	0.6	$\mu\text{A}$
基准电流温漂 Deviation of Reference Current Over Full Temperature Range	5	$\Delta I_{REF}$	$I_{KA}=10\text{mA}$ $R_1=10\text{K}\Omega$ $R_2=\infty$ $T_A=-10^{\circ}\text{C}$ to 85 $^{\circ}\text{C}$		0.2	0.3	$\mu\text{A}$
最小阴极电流 Minimum Cathode Current for Regulation	4	$I_{KA}(\text{Min})$	$V_{KA}=V_{REF}$		150	400	$\mu\text{A}$
夹断阴极电流 Off-state Cathode Current	6	$I_{KA}(\text{Off})$	$V_{KA}=36\text{V}$ $V_{REF}=0$		0.01	1	$\mu\text{A}$
动态阻抗 Dynamic Impedance	4	$Z_{KA}$	$V_{KA}=V_{REF}$ $I_{KA}=1$ to 100mA $f \leq 1.0\text{KHz}$		0.1	0.5	$\Omega$
热阻 Thermal Resistance		$\theta_{JC}$	TO-92		68		$^{\circ}\text{C/W}$
			SOT-89		70		
			SOT-23		113		

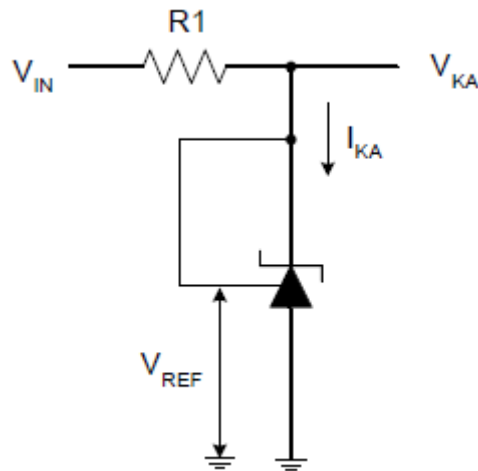
**LOW CATHODE CURRENT ADJUSTABLE PRECISION SHUNT REGULATOR TL431A**


Figure 4. Test Circuit 4 for  $V_{KA}=V_{REF}$

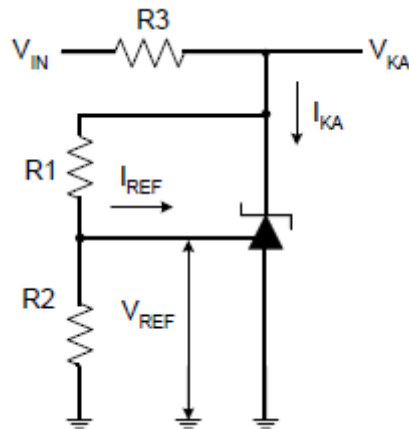


Figure 5. Test Circuit 5 for  $V_{KA}=V_{REF}(1+R_1/R_2)+I_{REF} \cdot R_1$

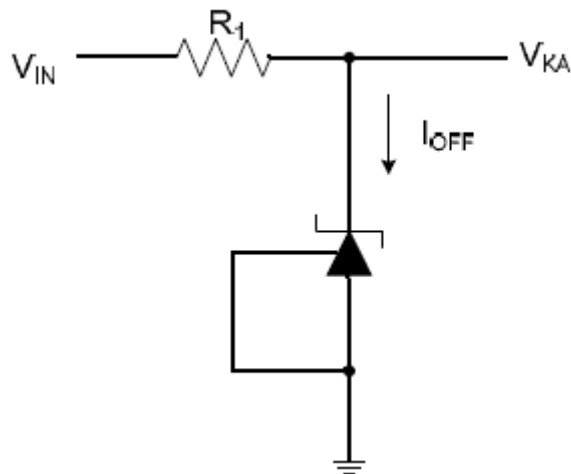


Figure 6. Test Circuit 6 for  $I_{OFF}$

## 典型性能 Typical Performance Characteristic

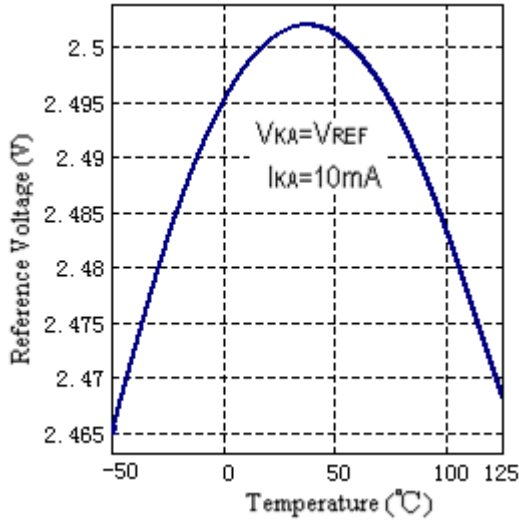


Figure 7. Reference Voltage vs. Ambient Temperature

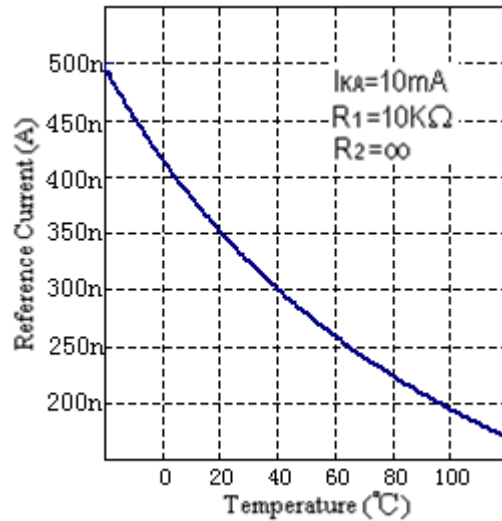


Figure 8. Reference Current vs. Ambient Temperature

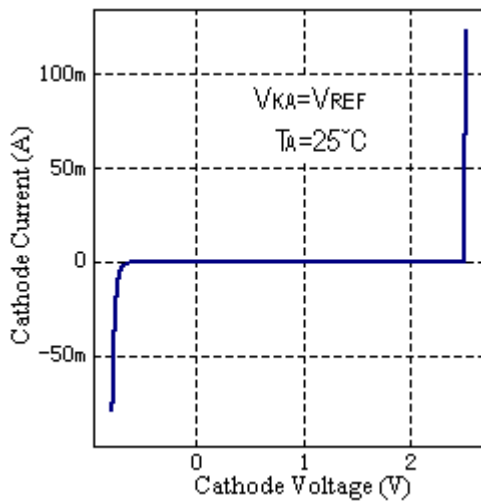


Figure 9. Cathode Current vs. Cathode Voltage

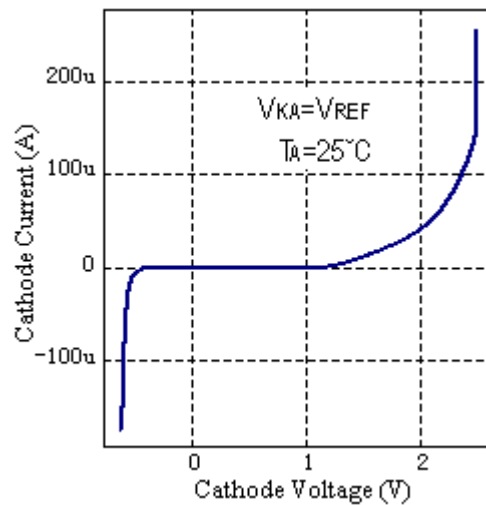


Figure 10. Cathode Current vs. Cathode Voltage

LOW CATHODE CURRENT ADJUSTABLE PRECISION SHUNT REGULATOR **TL431A**

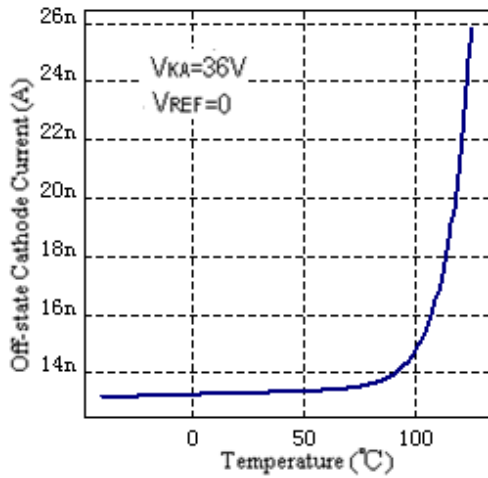


Figure 11. Off-state Cathode Current vs. Ambient Temperature

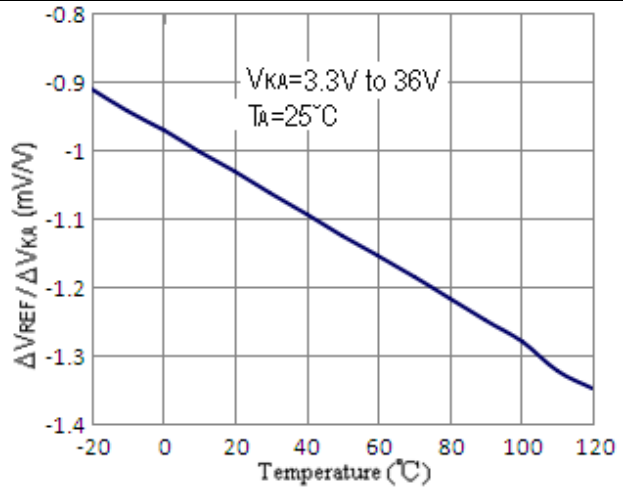


Figure 12. Ratio of Delta Reference Voltage to the Ratio of Delta Cathode Voltage

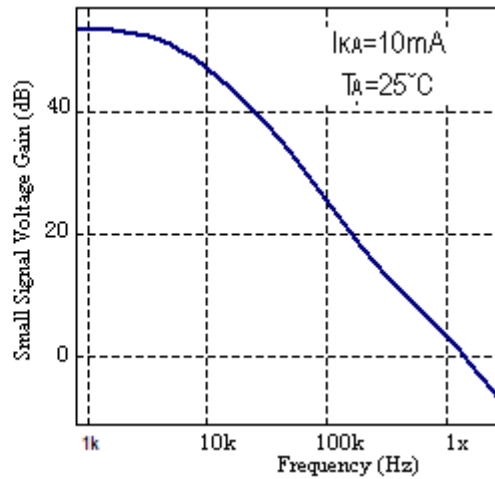
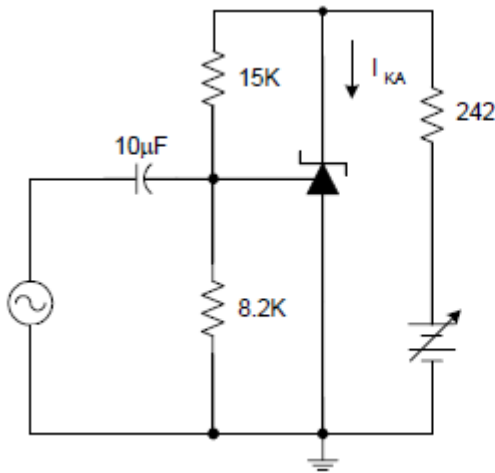


Figure 13. Small Signal Voltage Gain vs. Frequency

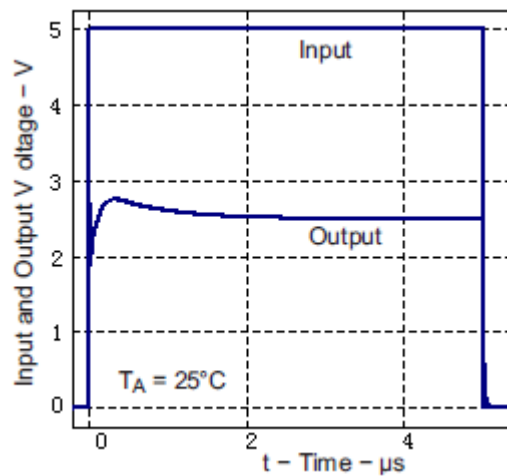
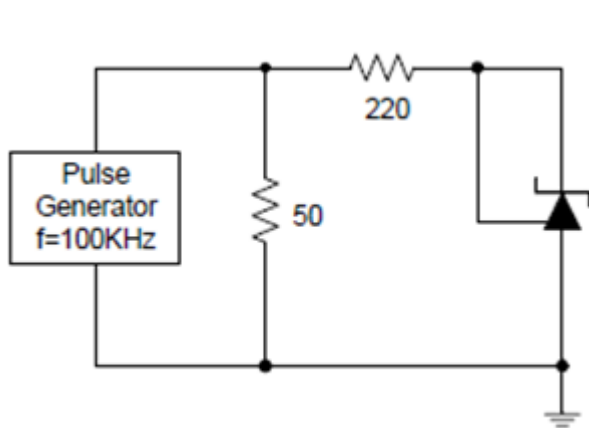


Figure 14. Pulse Response of Input and Output Voltage



## 典型应用 Typical Application

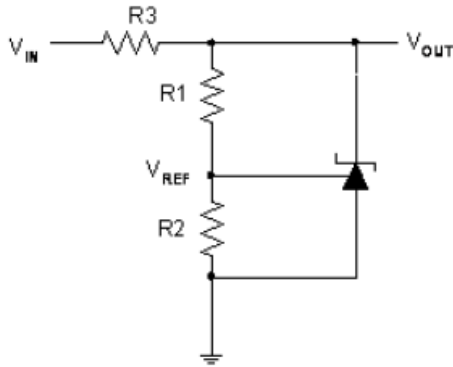


Figure 15. Shunt Regulator

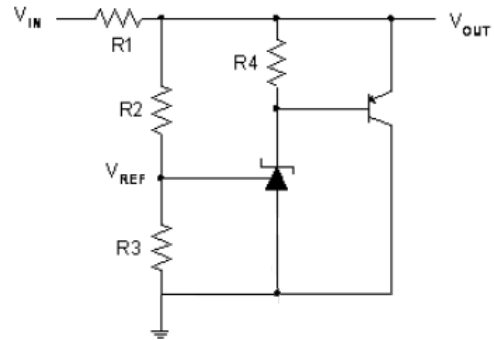


Figure 16. High Current Shunt Regulator

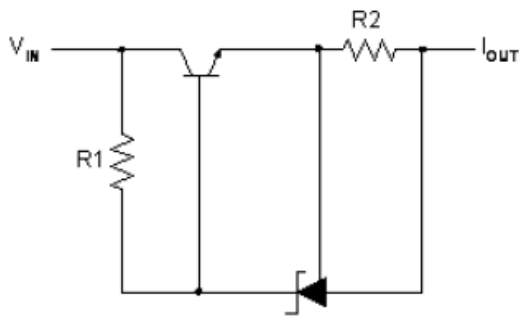


Figure 17. Current Source or Current Limit

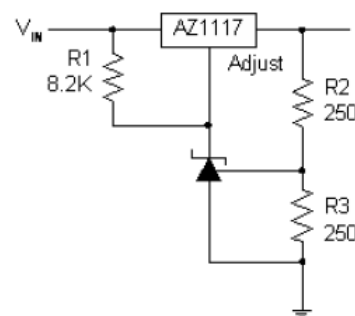


Figure 18. Precision 5V 1A Regulator

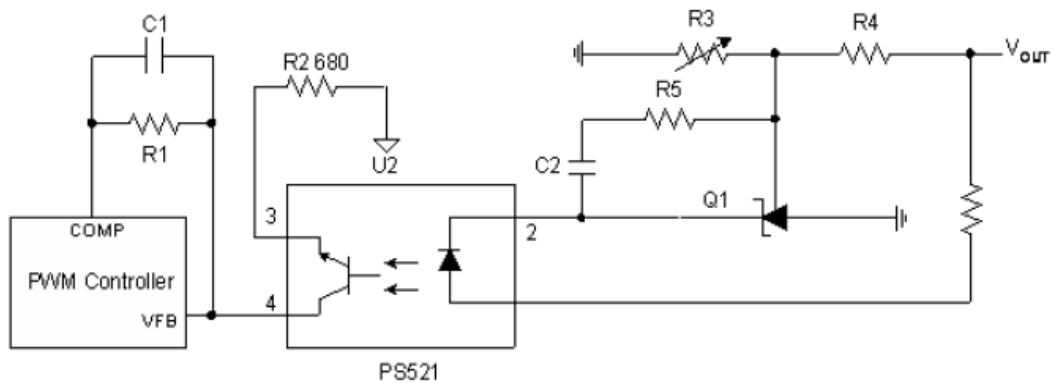


Figure 19. PWM Converter with Reference

**Note 3:** Super are responsible for consistency of product. The devices should be working in recommended condition. Before new design product being bulk production, pilot production should be done. spmcirc assumes no liability for applications assistance or customer design product.

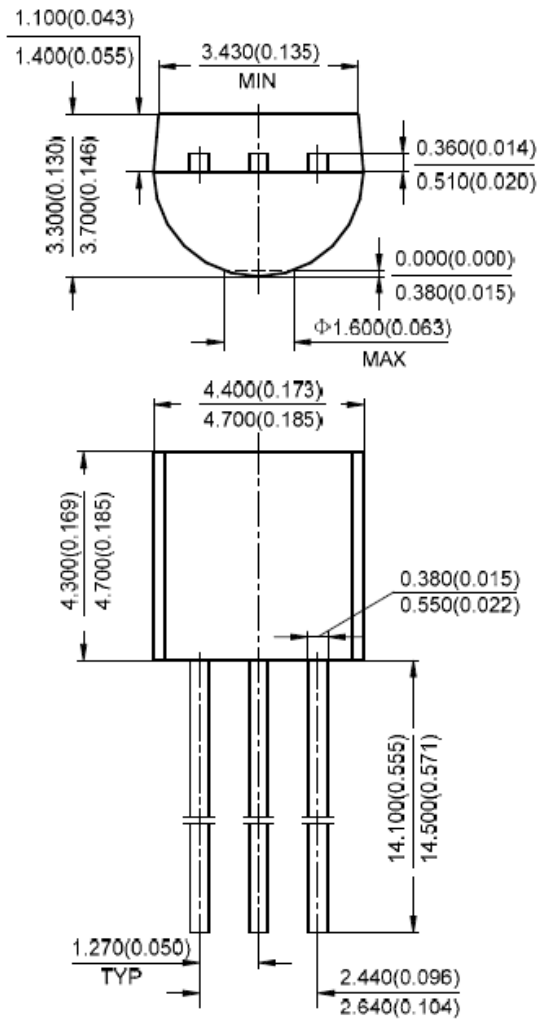
**备注 3:** 赛普半导体负责提供器件的一致性，客户应在推荐工作条件下使用器件。客户设计新产品量产前应进行小批量试产，赛普半导体不对客户设计产品及其应用支持负责。

LOW CATHODE CURRENT ADJUSTABLE PRECISION SHUNT REGULATOR **TL431A**

外观尺寸 Mechanical Dimensions

TO-92 (Bulk Packing)

Unit: mm (inch)

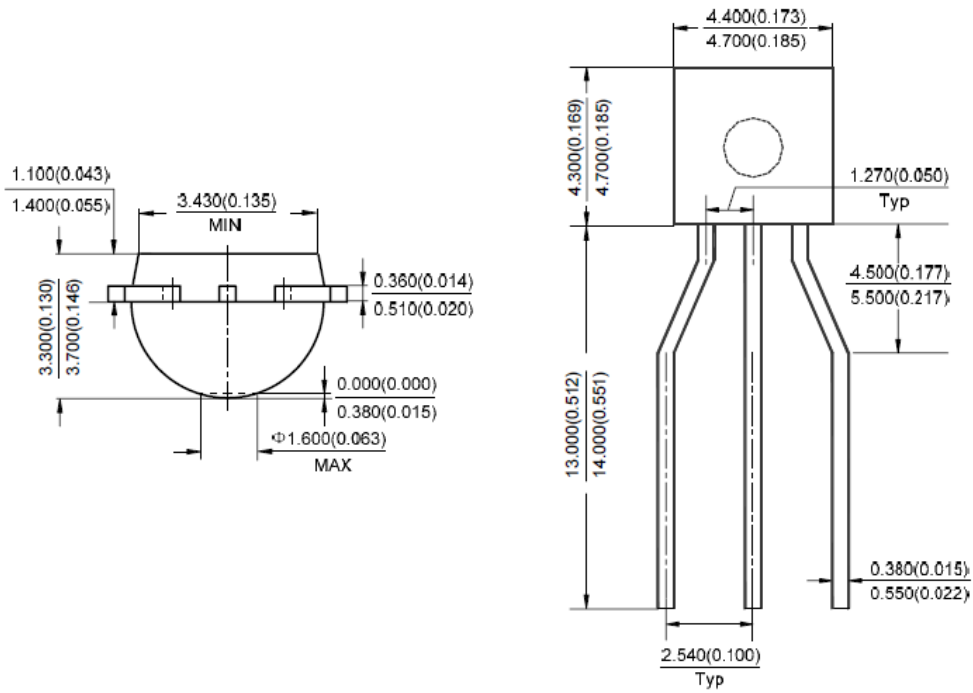


LOW CATHODE CURRENT ADJUSTABLE PRECISION SHUNT REGULATOR **TL431A**

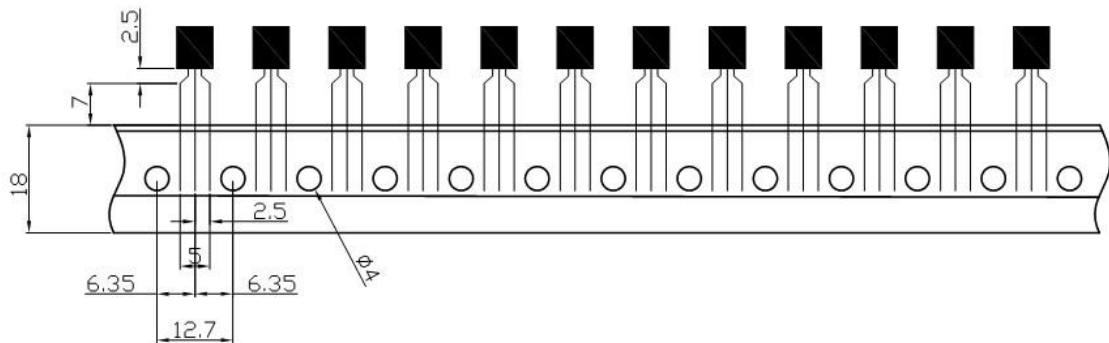
外观尺寸 Mechanical Dimensions (Continued)

TO-92 ( Ammo Packing)

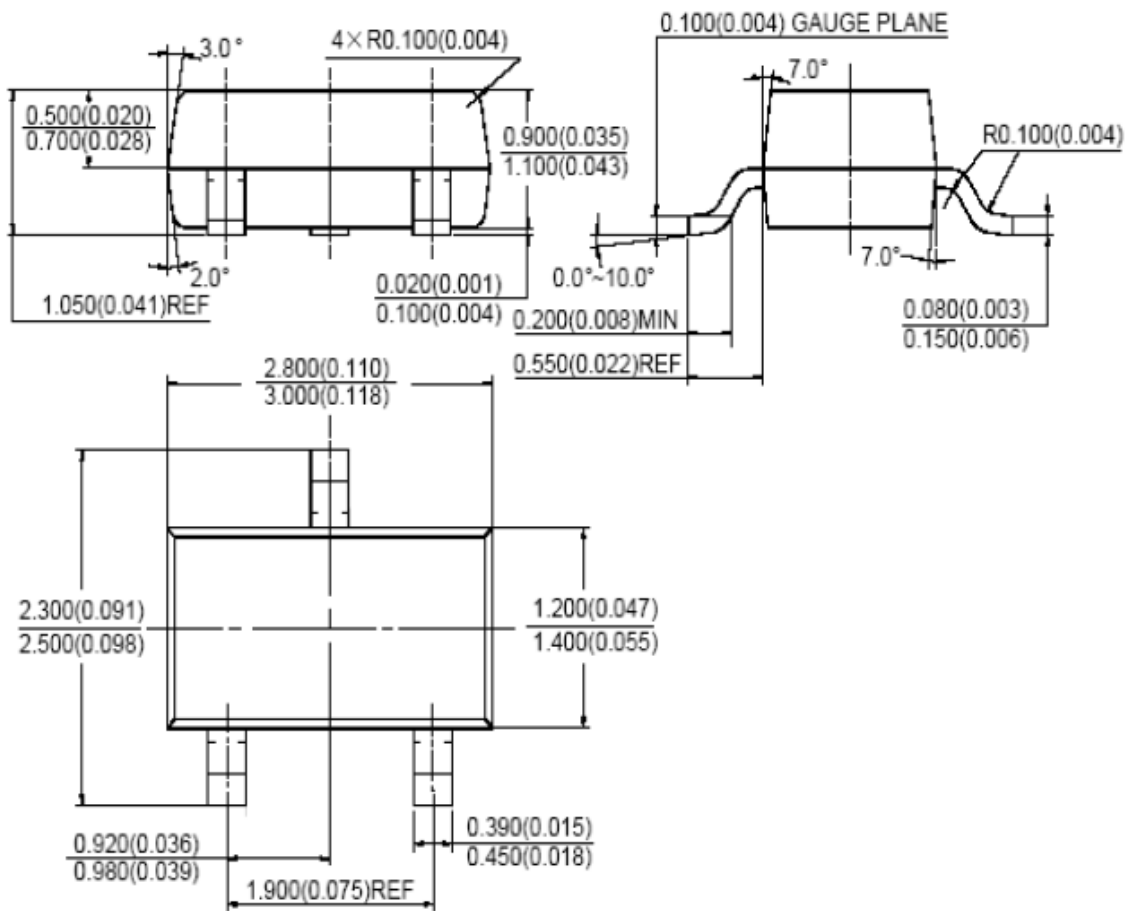
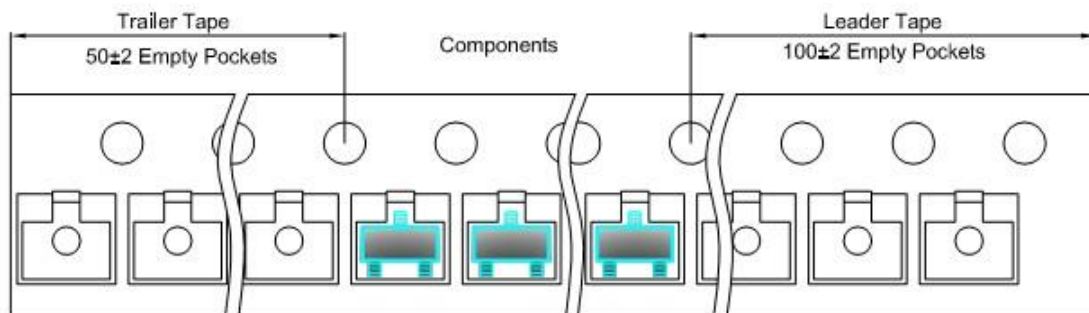
Unit: mm (inch)



TO-92 Taping



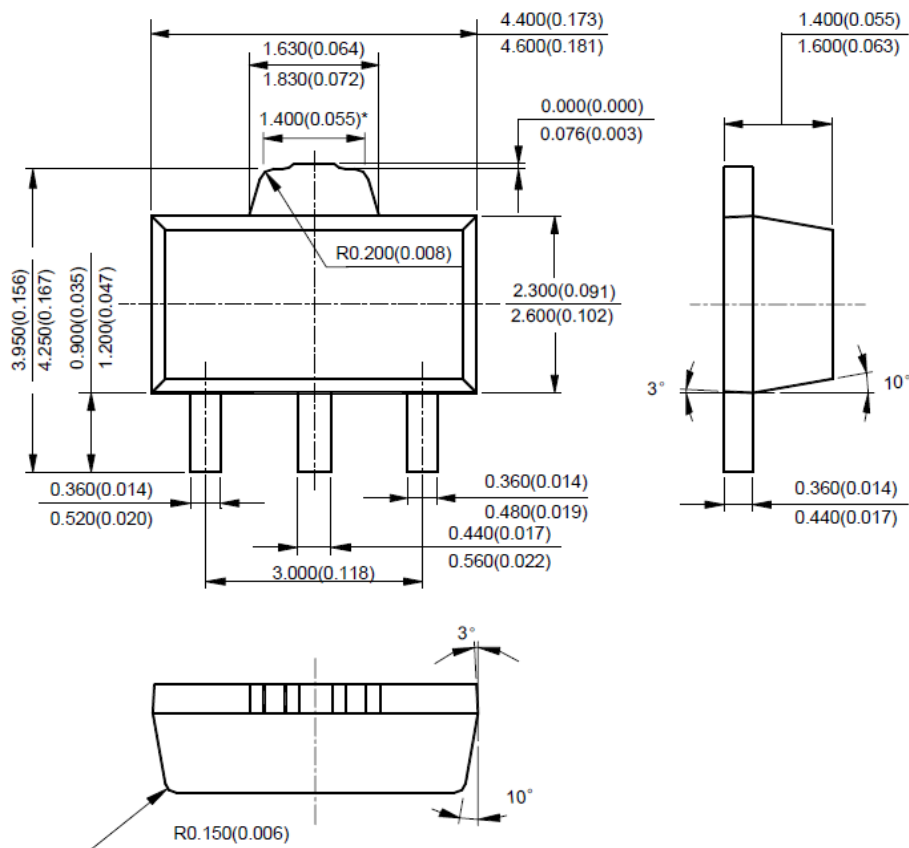
每盒 2000PCS, 每箱 10 盒

**外观尺寸 Mechanical Dimensions (Continued)**
**SOT-23**
**Unit: mm (inch)**

**SOT-23 Tape Leader and Trailer**


## 外观尺寸 Mechanical Dimensions (Continued)

SOT-89

Unit: mm (inch)



### SOT-89-3L Tape Leader and Trailer

